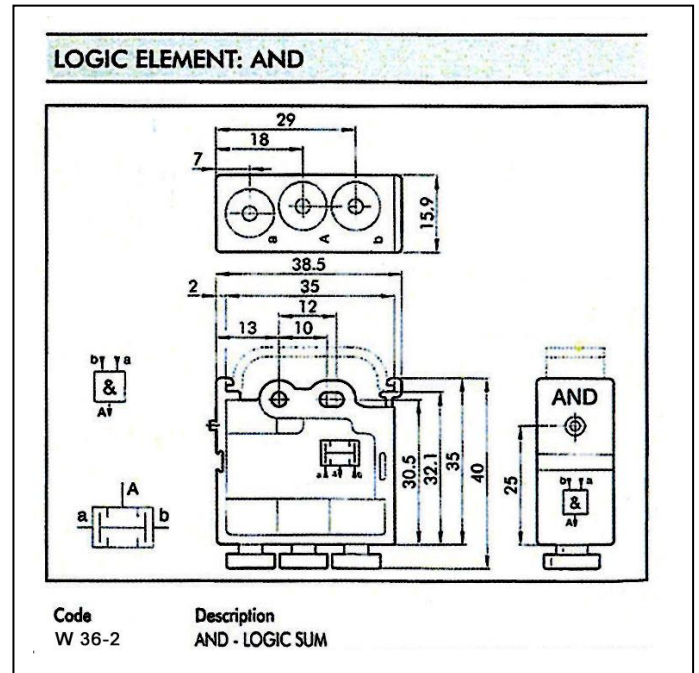
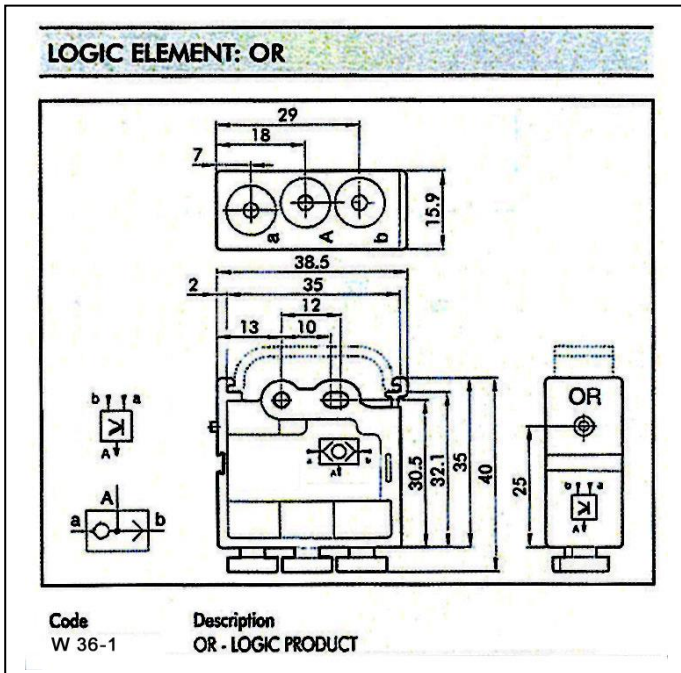


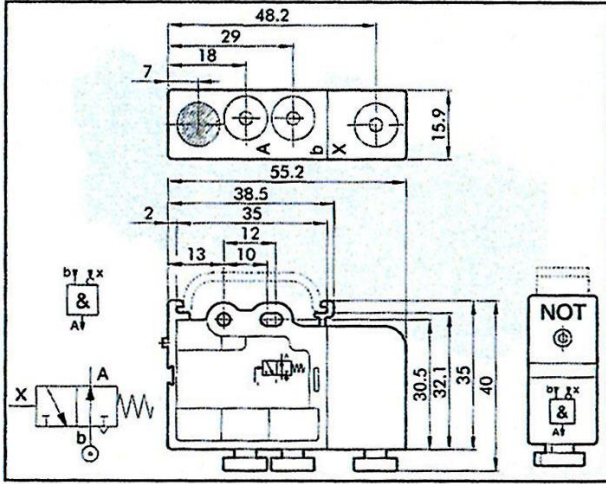
Pneumatic logic elements are available with five different functions: OR, AND, NOT, YES, MEMORY. All elements have an adapter for the Ω -rail (DIN EN 50022) integral with the body.



| | | |
|-------------------------|---------------------------------------------------------------------------------------------|--------|
| Material: | Technopolymer | |
| Spool: | Aluminium | |
| Sealant: | NBR | |
| Temperature range: | -10 °C to +60 °C | |
| Valve fitting: | Push-in fitting for 4 mm pipe | |
| Working pressure range: | OR - AND: 1.5 to 8.0 bar | W 36-1 |
| | NOT: 0.4 to 6.0 bar | |
| | YES - MEMORY: 0.0 to 8.0 bar (pilot pressure from 1.5 to 8.0 bar) | |
| Reset: | OR - AND: by compressed air | |
| | MEMORY: by compressed air | |
| | YES - NOT: by mechanical spring | |
| Nominal diameter: | 2.7 mm | |
| Flow rate: | 100 l/min (at 6.0 bar and $\Delta p = 1.0$ bar) | |
| Fluid: | Lubricated or unlubricated filtered compressed air; must be uninterrupted when lubricated | |
| Recommended lubricant: | ISO and UNI FD22 | |
| Functioning: | With compressed air | |
| Installation: | In any position | |
| Mounted: | On Omega bar (DIN EN 50022) size 35x7 or 35x15 Wall-mounted with \varnothing 4.2 holes | |

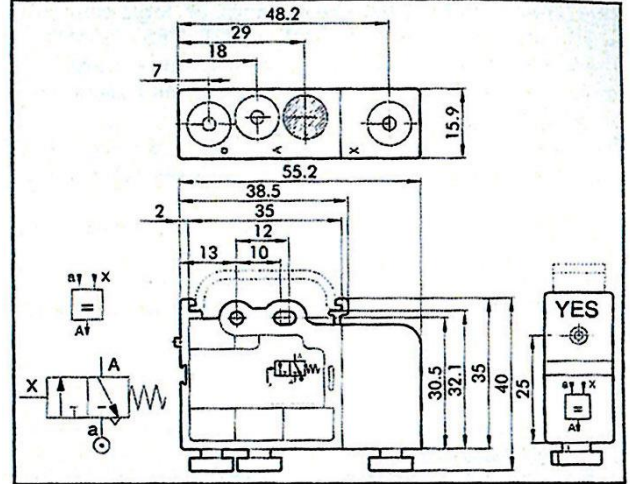


LOGIC ELEMENT: NOT



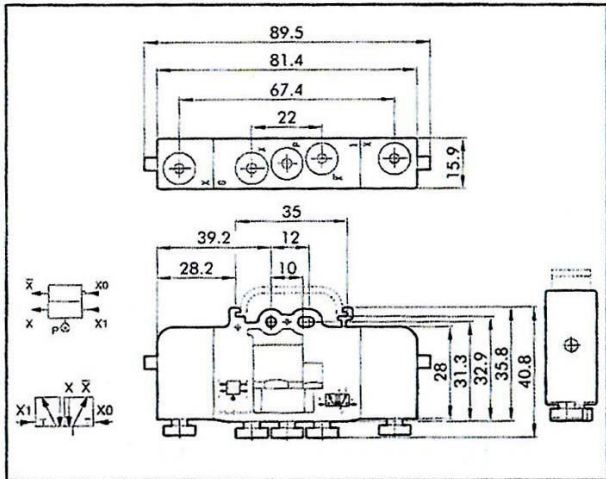
Code W 36-3 Description NOT - NEGATION

LOGIC ELEMENT: YES



Code W 36-4 Description YES - AFFIRMATION

LOGIC ELEMENT: MEMORY



Code W 36-5 Description MEMORY

Type No.

Art. No.

| | |
|--------|--------|
| W 36-1 | 106705 |
| W 36-2 | 106706 |
| W 36-3 | 106707 |
| W 36-4 | 106708 |
| W 36-5 | 106709 |